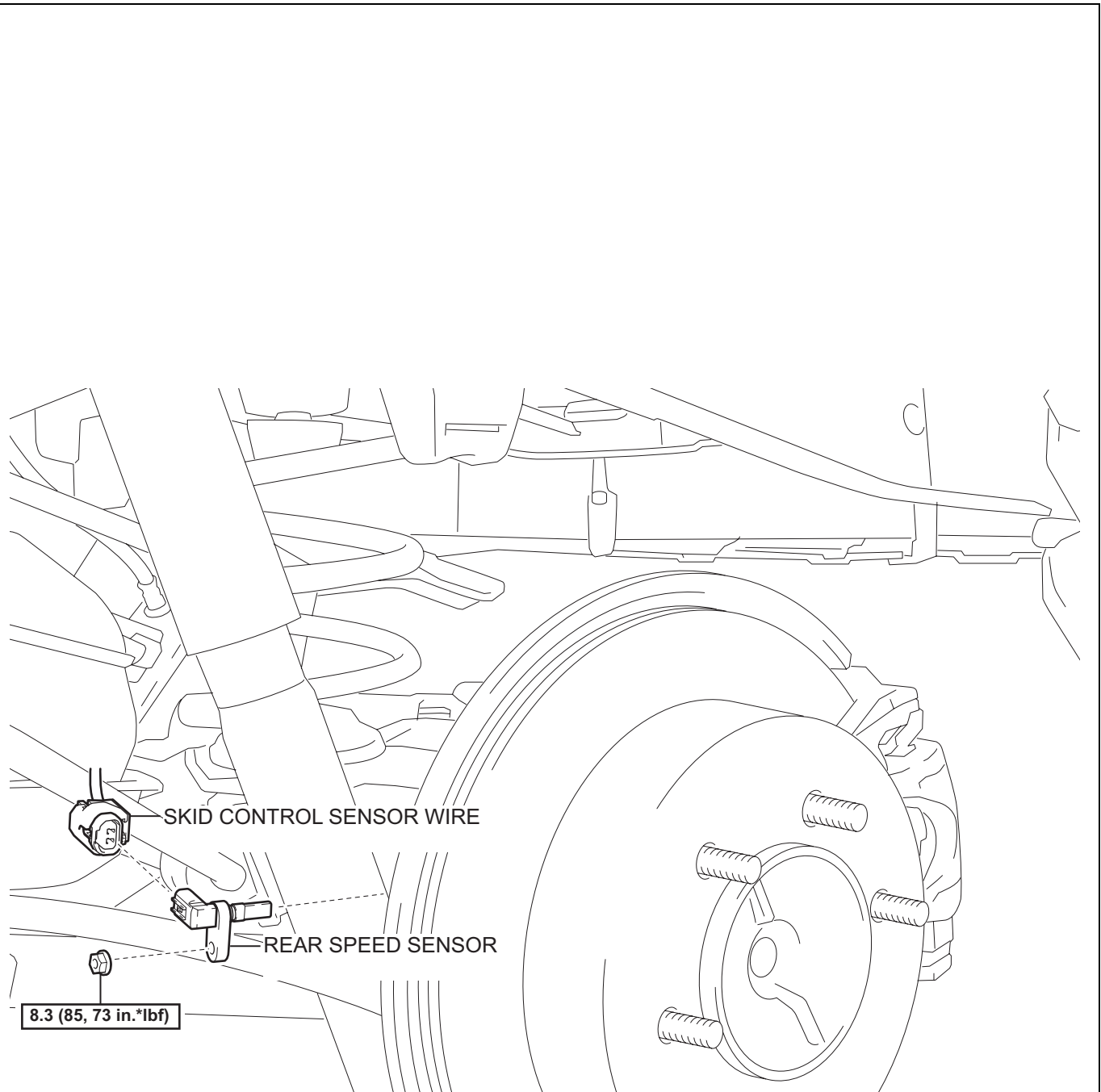


# REAR SPEED SENSOR

## COMPONENTS

BC



8.3 (85, 73 in.\*lbf)

**N\*m (kgf\*cm, ft\*lbf)** : Specified torque

## REMOVAL

1. DISCONNECT CABLE FROM NEGATIVE BATTERY TERMINAL
2. REMOVE REAR WHEEL
3. REMOVE REAR SPEED SENSOR
  - (a) Disconnect the skid control sensor wire.
  - (b) Remove the nut and rear speed sensor.

**NOTICE:**

- Do not attach any foreign matter to the sensor tip.
- Ensure that no foreign matter enters the sensor installation part.

**BC**